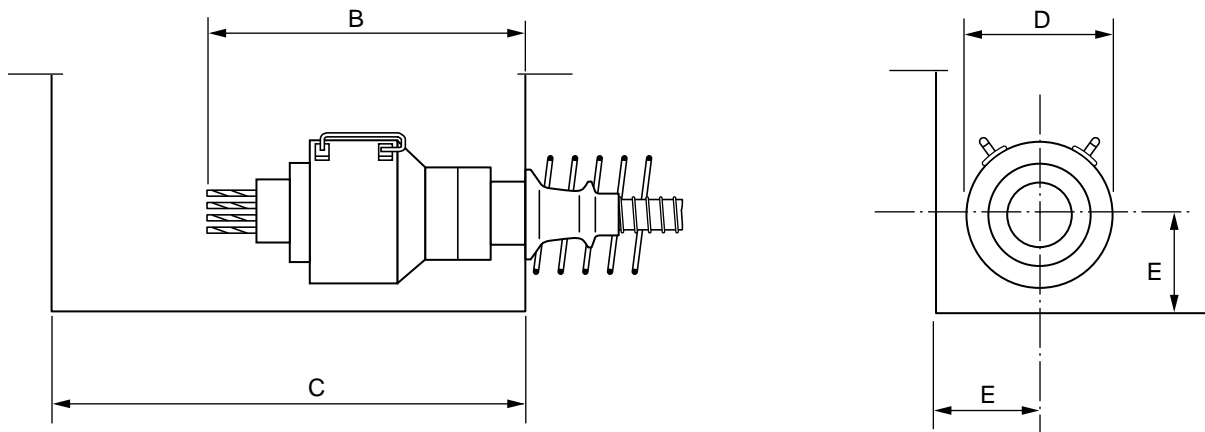
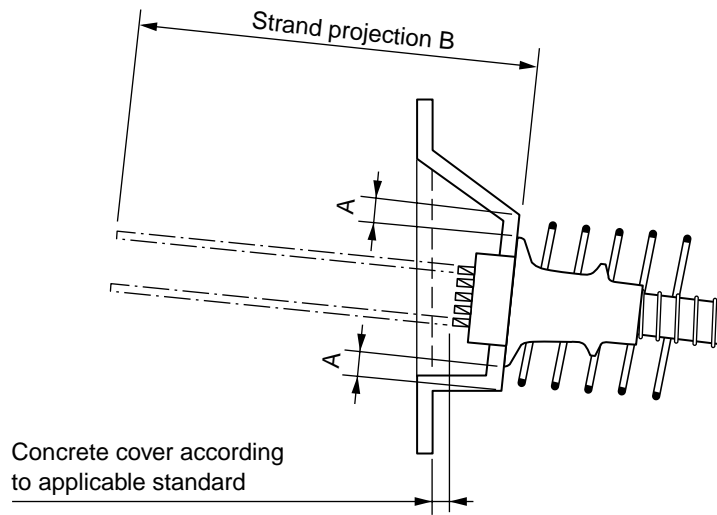


Block Out Dimensions and Clearance Requirement



Jack Type	A min.	B	C	D	E
ZPE-23FJ	-	12.00	47.25	4.57	3.50
ZPE-30	1.18	24.00	43.50	5.51	4.00
ZPE-3	1.18	22.00	39.50	7.87	6.00
ZPE-60	1.18	26.00	43.50	7.09	5.50
ZPE-7A	1.18	32.00	47.25	11.81	8.00
ZPE-12St2	1.97	28.00	51.25	12.20	8.00
ZPE-200	1.97	44.00	82.75	12.99	8.25
ZPE-19	1.97	34.00	59.25	15.35	10.00
ZPE-460/31	2.36	28.00	59.25	19.09	12.00
ZPE-500	3.15	46.00	78.75	23.03	13.00
ZPE-750	3.15	54.00	90.75	22.44	14.50
ZPE-1000	3.15	52.00	86.75	31.10	17.75
ZPE-1250	3.54	54.00	88.75	25.98	14.75

Dimensions in inches.

Stressing Jack Data



Type I (ZPE-23FJ)



Type II (ZPE-19)



Type III (ZPE-500)

Designation	ZPE-23FJ	ZPE-30	ZPE-3	ZPE-60	ZPE-7A	ZPE-12St2	ZPE-200	ZPE-19	ZPE-460/31	ZPE-500	ZPE-750	ZPE-1000
Type	I	III	III	III	III	II	III	II	II	III	II	III
Length (in)	31.10	28.35	18.70	24.21	27.17	21.65	37.80	29.53	22.83	39.37	46.65	47.24
Diameter (in)	4.57	5.51	7.87	7.09	11.02	12.20	12.40	15.35	19.09	21.65	20.47	31.10
Stroke (in)	7.87	9.84	6.30	9.84	6.30	3.94	11.81	3.94	3.94	7.87	5.91	7.87
Piston area (in ²)	7.30	9.04	16.06	19.59	31.56	47.96	50.48	77.55	124.62	138.66	193.29	280.47
Capacity (kips)	52	72	112	142	239	416	450	652	1048	1124	1686	2248
Pressure (psi)	7078	7963	7005	7252	7585	8673	8905	8412	8412	8108	8717	8021
Weight (lb)	51	62	104	163	254	333	672	648	959	2346	2425	5049
Used for 13 mm (0.5") tendon types	5-1	5-1	5-2, 5-3	5-2 to 5-4	5-6, 5-7	5-12	5-12	5-18 to 5-19	5-22 to 5-31	5-22 to 5-31	5-31 to 5-37	5-37 to 5-55
Used for 15 mm (0.6") tendon types	6-1	6-1	6-2	6-2, 6-3	6-4	6-6, 6-7	6-6, 6-7	6-12	6-18, 6-19	6-18 to 6-22	6-31	6-31 to 6-43

Other sizes available on request