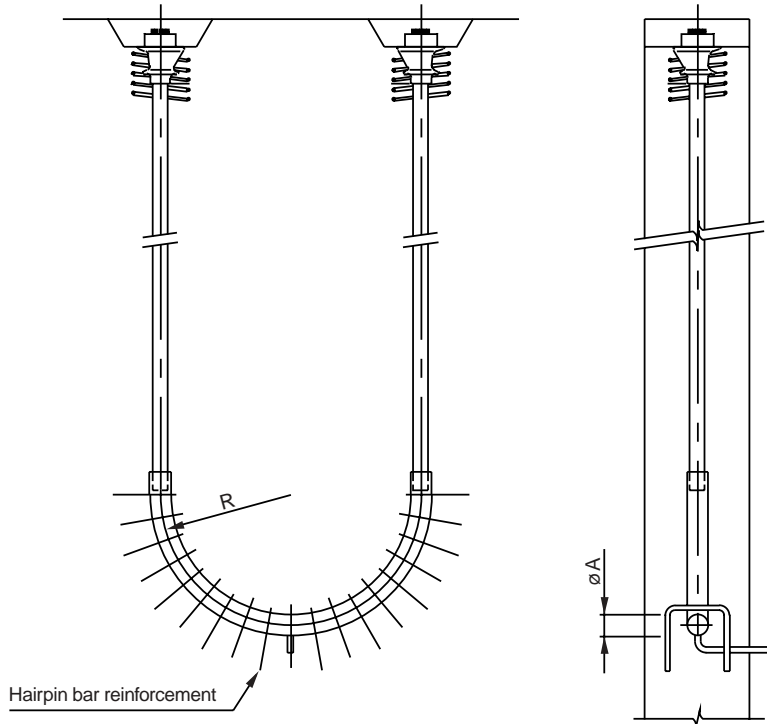


## Dead-End Anchorage VSL Type L



Tendon Unit		Dimensions Inches		
Strand Type 0.5"		øA Internal	øA External	R min.
	5-7	2.62	2.88	24.00
	5-12	3.50	3.75	36.00
	5-19	3.94	4.19	36.00
	5-31	5.75	6.00	36.00

Other sizes available on request

Subject to modification

For proper design and detailing of anchorage zones and related reinforcement, refer to the VSL Publication "Detailing for Post-Tensioning".

Dimensions are valid for:

- Nominal concrete cylinder strength at 28 days: 4,000 psi (28 MPa).
- Maximum prestressing force may be applied when concrete reaches a cylinder strength of 3,500 psi (24 MPa).
- Temporary overstressing to 80% of Guaranteed Ultimate Tensile Strength.

- Yield strength of spiral reinforcement: Grade 60 (400 MPa).
- Custom size VSL Loops are available.
- Information for other concrete strengths and conditions are available from your local VSL Representative.
- Simultaneous stressing of both tendon ends is necessary.